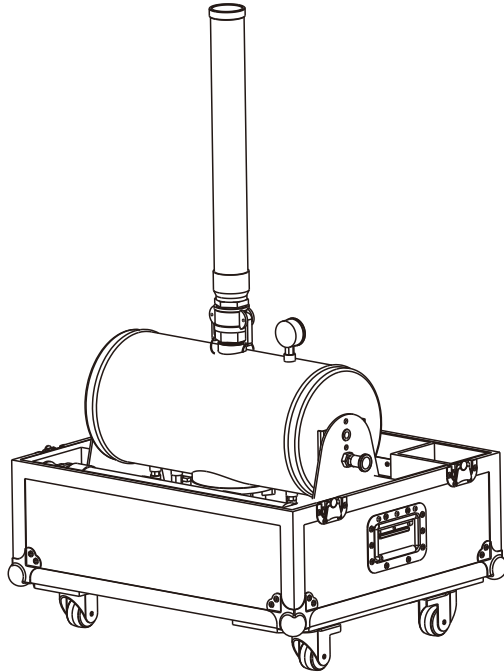


**djv**<sup>®</sup> BY **DJPOWER**<sup>®</sup>



**DC-3** *CONFETTI SHOT*  

---

*USER MANUAL*

# 1 BEFORE YOU BEGIN

## 1.1 Package Content




DC-3 Confetti Shot × 1   Power Cord × 1   User Manual × 1   Warranty Card × 1   Certification × 1

## 1.2 Unpacking Instructions

Carefully unpack the product immediately and check the container to make sure all the parts are in the package and are in good condition.

If the box or the contents (the product and included accessories) appear damaged from shipping, or show signs of mishandling, notify the carrier or dealer/seller immediately. In addition, keep the box and contents for inspection.

## 1.3 Symbols

| Symbol   | Meaning   |
|--|---|
|  | <b>Caution</b><br>Critical installation, configuration, or operation information. Not following these instructions may make the product not work, cause damage to the product, or cause harm to the operator. |
|  | <b>Important</b><br>Important installation or configuration information. Failure to comply with this information may keep the product from working correctly.   |
|  | <b>Information</b><br>Useful information.   |

## 1.4 Disclaimer

The information and specifications contained in this User Manual are subject to change without notice. DJPOWER assumes no responsibility or liability for any errors or omissions and reserves the right to revise or to create this manual at any time.

Copyright © 2020 DJPOWER. All rights reserved.

## 1.5 Safety Notes

Please read the following Safety Notes carefully before working with the product. The notes include important safety information about installation, usage, and maintenance.

### 1.5.1 Personal Safety

- Always connect the product to a grounded circuit to avoid the risk of electrocution.
- Never aim or fire the output at any person or living thing.
- Make sure that children, unauthorised people and animals do not obtain access to the machine.

### 1.5.2 Mounting and Rigging

- For safety reasons, we do not recommend mounting the product in any capacity. Operate the product while it is on the ground only.
- Do not use in a confined space. Always install the product in a location with adequate ventilation.

### 1.5.3 Power and Wiring

- Always make sure that the voltage of the outlet to which you are connecting the product is within the range stated on the decal or rear panel of the product.
- Make sure the power cord is not crimped or damaged.
- Never connect this product to a dimmer pack or rheostat.
- Never disconnect the product from power cord by pulling or tugging on the cord.
- To eliminate unnecessary wear and improve its lifespan, during periods of non-use completely disconnect the product from power via breaker or by unplugging it

### 1.5.4 Operation

- Do not operate this product if you see damage to the housing or cables. Have the damaged parts replaced by an authorized technician at once.
- Do not cover or plug the output nozzle during operation.
- Never carry the product by the power cord or any moving part. Always use the handles.
- Please keep a certain distance from the machine to avoid injury.

This product contains no user-serviceable parts. Any reference to servicing in this User Manual will only apply to properly

- Trained, certified technicians. Do not open the housing or attempt any repairs which can lead to damage or malfunction.
- In the event of a serious operating problem, stop using the product immediately.
- Ensure sufficient lighting of the surroundings.
- Do not remove any safeguards, safety caps and safety symbols.



**Please note that the confetti can rub off when it comes into contact with moisture. Therefore, please only use confetti in or on dry, non-sensitive surroundings and surfaces.**

**We assume no liability for damage resulting from disregard of these and other safety instructions in the operating instructions.**



**Keep this User Manual for future use. If you sell the product, be sure that the purchaser receives this document.**

## 2 INTRODUCTION

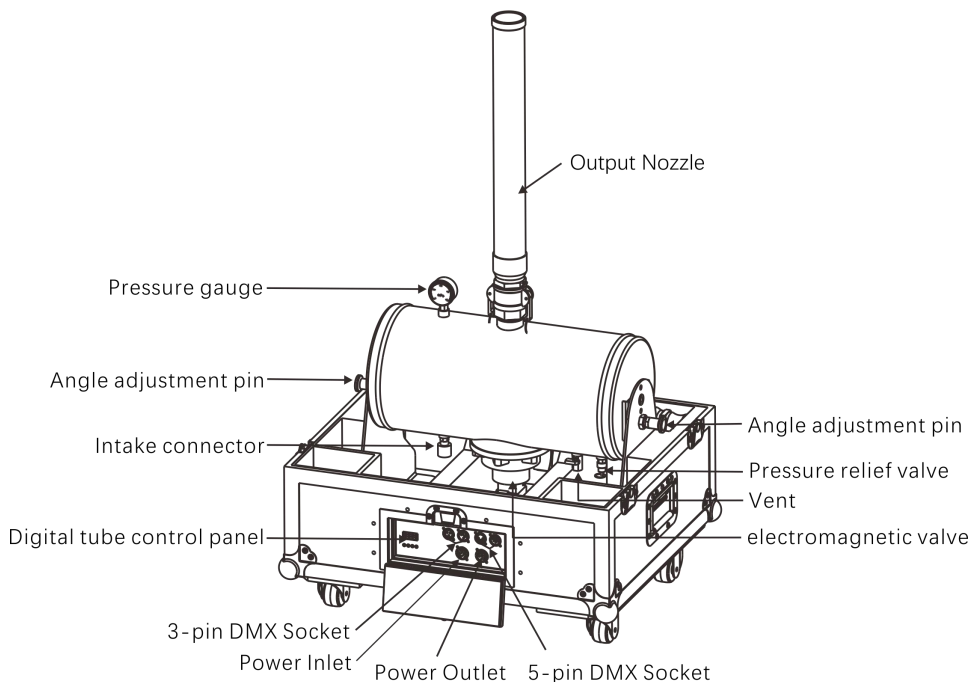
### 2.1 Description

DC-3 is an inflatable confetti shot machine, equipped with a low noise internal air compressor which instantly launches confetti into the air up to a height of 15 meters. It is designed with integrated flight case, sturdy and durable tank structure and all-aluminum alloy quick-connect nozzle. This powerful confetti shot is with massive output designed for a big concerts, stadiums and festivals.

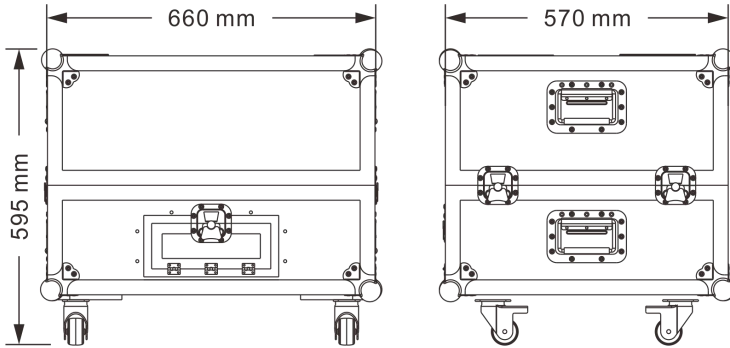
### 2.2 Product features

- Integrated flight case , easy to transport.
- Aluminum alloy quick connect nozzle, adjustable output angle
- 20L air compressor tank
- Instantly launches confetti into the air up to a height of 15 meters
- The actual effect may be affected by the use environment.

### 2.3 Appearance overview



## 2.4 Product Dimensions



## 3 TECHNICAL SPECIFICATIONS

|                                |                                 |   |
|--------------------------------|---------------------------------|---|
|                                | <b>Input Voltage &amp; Rate</b> | <b>AC 100V-240V 50/60HZ or DC12V 5A above battery</b> |
| <b>AC Power</b>                | Total Power Consumption         | 24 W  |
|                                | Power Input Connector           | Lockable PowerCon                                     |
|                                | Power Output Connector          | Lockable PowerCon                                     |
| <b>Output</b>                  | Max Output Height               | About 15 meters                                       |
|                                | On-device Manual Control        | 7-seg digital display                                 |
| <b>Control</b>                 | Wireless control                | ×   |
|                                | Wired control                   | ×   |
|                                | Control Protocol                | DMX-512   |
|                                | DMX Channel Range               | 2   |
| <b>Capacity</b>                | Capacity                        | 20L   |
| <b>Consumable</b>              | Consumable                      | Confetti Paper(except Electri confetti), Streamer     |
|                                | Net Weight                      | 49 kg   |
| <b>Weight &amp; Dimensions</b> | Gross Weight                    | 53 kg   |
|                                | Machine Dimensions              | 660 × 570 × 595 mm                                    |
|                                | Packing Dimensions              | 740 × 650 × 650 mm                                    |

## 4 SETUP

### 4.1 AC Power

The machine has a fixed voltage power supply and can work with an input voltage of AC 100V-240V 50/60HZ or DC12V 5A above battery. depending on the specific model.

To determine the product's power requirements (circuit breaker, power outlet, and wiring), use the current value listed on the label affixed to the product's back panel, or refer to the product's

specifications chart. The listed current rating indicates the product's average current draw under normal conditions.



**Always connect the product to a protected circuit (circuit breaker or fuse). Make sure the product has an appropriate electrical ground to avoid the risk of electrocution or fire.**



**Never connect the product to a rheostat (variable resistor) or dimmer circuit, even if the rheostat or dimmer channel serves only as a 0 to 100% switch.**

## 4.2 Power Plug

The machine comes with a power input cord terminated with a Lockable Powerkon connector on one end and an EU plug on the other end. If the power input cord that came with your product has no plug, or if you need the change the plug, use the table below to wire the new plug:

| Connection | Wire(U.S.)   | Wire (Europe) |
|------------|--------------|---------------|
| AC Live    | Black        | Brown         |
| AC Neutral | White        | Blue          |
| AC Ground  | Green/Yellow | Green/Yellow  |

## 4.3 DMX Linking

You can link the DC-3 to a DMX controller using a 3- or 5- pin DMX connection. If using other DMX-compatible products with this product, you can control each individually with a single DMX controller. Instructions for connecting and configuring this product for DMX operation are in the User Manual.

## 4.4 Mounting

Before mounting the product, read and follow the safety recommendations indicated in the Safety Notes.

### 4.4.1 Rigging

DJPOWER recommends using the following general guidelines when mounting this product.

- Before deciding on a location for the product, make sure there is easy access to the product for maintenance and programming purposes.
- Make sure that the structure or surface onto which you are mounting the product can support the product's weight (see the Technical Specifications).

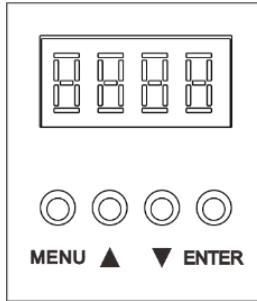
# 5 OPERATION

## 5.1 Preparing for Operation

- Connect the nozzle: Put the nozzle on the female connector and lock it firmly
- Adjust the nozzle angle
- Put the Confetti into the Nozzle
- Use a outsourced booster pump or air compressor to pressurize the tank to 0.8MPA, not more than 0.8MPA

- Plug the power cord into a grounded outlet. Before turning on the power, please reconfirm the voltage specifications.

## 5.2 On-device Control Panel



| Button  | Function  |
|---------|---|
| <MENU>  | Realize the cyclic conversion of the digital display main page, press the button to change a display page, DC-3 has two setting pages |
| ▲       | Up-adjusting settings of sub-page parameters under each display page  |
| ▼       | Down-adjusting settings of sub-page parameters under each display page  |
| <ENTER> | After selecting the page, enter the sub-page or exit the sub-page   |

### 5.2.1 Menu Map

|                | Display | Description  | Parameter Range |
|----------------|---------|--|-----------------|
| Preparing Page |         | On this page, press ENTER to enter the DMX address setting page, Press ▲ and ▼ to adjust DMX address, and save it by ENTER.  |                 |
| Setting Page   |         | On this page, press ENTER to enter the setting menu, and press the ▲ and ▼ keys to set on or off. This setting can be used as a function of manual operation of the machine.<br><br><b>In addition, if it is set to the on state, the next time the machine is powered on, it can work directly, and the response time from power on to the machine working is less than or equal to 0.5S.</b> | on/ off         |

## 5.3 DMX Mode & Operation

DC-3 confetti shot works with a DMX controller:

- Turn the switch to DMX, and you can control the machine by DMX controller.

When the DMX signal is connected, only the address code will be displayed on the display page of the digital tube. In addition, the safety channel must be set in the ON state so that the output channel can control the work of the machine.

This machine supports 2 DMX channels, the channel table is as follows:

| Channel | Function       | Value   | Description |
|---------|----------------|---------|-------------|
| 1       | Safety Channel | 0-99    | off         |
|         |                | 100-155 | on          |
|         |                | 156-255 | off         |
| 2       | Output Channel | 0-10    | off         |
|         |                | 11-255  | on          |

## 5.4 Battery power supply control mode and description

There is a red and black terminal on the side of the machine control box. The function of this terminal is: when the machine is not connected to the mains power supply, the equipment can be operated by an external DC12V battery. The specific wiring method is to connect the red terminal to the positive electrode of the battery and the black terminal to the negative electrode of the battery. The battery parameters require DC 12 V  $\geq$  5A.

# 6 TECHNICAL INFORMATION

## 6.1 Maintenance

- To achieve the maximum service life of the machine, you must regularly clean the machine and test if it is functioning correctly.



**Do not replace parts yourself; always consult DJPOWER if necessary.**

## 6.2 Storage

Store the machine at a dry and cool place.