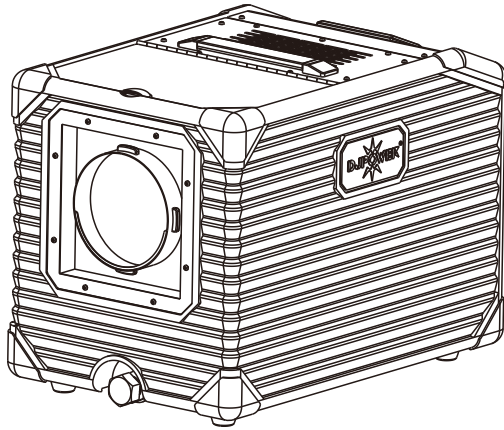




[PRO STAGE EFFECTS]



 **X-SW1800** User Manual

MINI AQUA LOW FOG MACHINE

1 BEFORE YOU BEGIN

1.1 What Is Included




- X-SW1800 Machine × 1
- Power Cord × 1
- W-4 Wireless Remote × 1
- Nozzle × 1
- Diversion Hose × 1
- Warranty card × 1
- User Manual × 1

1.2 Unpacking Instructions

Carefully unpack the product immediately and check the container to make sure all the parts are in the package and are in good condition.

If the box or the contents (the product and included accessories) appear damaged from shipping, or show signs of mishandling, notify the carrier or dealer/seller immediately. In addition, keep the box and contents for inspection.

1.3 Symbols

Symbol	Meaning
	Caution Critical installation, configuration, or operation information. Not following these instructions may make the product not work, cause damage to the product, or cause harm to the operator.
	Important Important installation or configuration information. Failure to comply with this information may keep the product from working correctly.
	Information Useful information.

1.4 Disclaimer

The information and specifications contained in this User Manual are subject to change without notice. DJPOWER assumes no responsibility or liability for any errors or omissions and reserves the right to revise or to create this manual at any time.

Copyright © 2023 DJPOWER. All rights reserved.

1.5 Safety Notes

Please read the following Safety Notes carefully before working with the product. The notes include important safety information about installation, usage, and maintenance.

1.5.1 Personal Safety

- Always connect the product to a grounded circuit to avoid the risk of electrocution.
- During heating up and operation, the housing will be scalding hot. Do not touch.
- Condensation may form on the bottom of the product, creating damp or wet conditions under and around the machine. Use caution! Surfaces around the product may become slippery.
- The product is very hot during operation and it remains hot for a long time after operation has stopped. Do not touch the product's nozzle.
- Make sure that children, unauthorized people and animals do not obtain access to the machine.
- Eye protection is always required when operate the machine closely.

1.5.2 Mounting and Rigging

- For safety reasons, we do not recommend mounting the product in any capacity. Operate the product while it is on the ground only.
- The product is for indoor use only! To prevent risk of fire or shock, do not expose the product to rain or moisture.
- CAUTION: When transferring product from extreme temperature environments, (e.g. cold truck to warm humid ballroom) condensation may form on the internal electronics of the product. To avoid causing a failure, allow product to fully acclimate to the surrounding environment before connecting it to power.
- Do not mount the product on a flammable surface (linoleum, carpet, wood, paper, carton, plastic, etc.).
- Do not use in a confined space. Always install the product in a location with adequate ventilation, at least 20 in (50 cm) from adjacent surfaces.
- Be sure that no ventilation slots on the product's housing are blocked.

1.5.3 Power and Wiring

- Always make sure that the voltage of the outlet to which you are connecting the product is within the range stated on the decal or rear panel of the product.
- Make sure the power cord is not crimped or damaged.
- Never connect this product to a dimmer pack or rheostat.
- Never disconnect the product from power cord by pulling or tugging on the cord.
- To eliminate unnecessary wear and improve its lifespan, during periods of non-use completely disconnect the product from power via breaker or by unplugging it.

1.5.4 Operation

- Do not operate this product if you see damage to the housing or cables. Have the damaged parts replaced by an authorized technician at once.
- Make sure there are no flammable materials close to this product while it is operating.
- Do not cover or plug the output nozzle during operation.
- Do not use the product as a space heater.
- Never carry the product by the power cord or any moving part. Always use the handles.

- Drain the tank before transporting the product.
- The maximum ambient temperature (Ta) is 104 °F (40 °C). Do not operate the product at higher temperatures.
- Always disconnect the product from the power source before cleaning.
- This product contains no user-serviceable parts. Any reference to servicing in this User Manual will only apply to properly trained, certified technicians. Do not open the housing or attempt any repairs which can lead to damage or malfunction.
- In the event of a serious operating problem, stop using the product immediately.
- To reach better effect, clean water tank regularly when not use the machine.
- Use only DJPOWER Consumable PRO-SW/PRO-A/PRO-D.



Keep this User Manual for future use. If you sell the product, be sure that the purchaser receives this document.

2 INTRODUCTION

2.1 Description

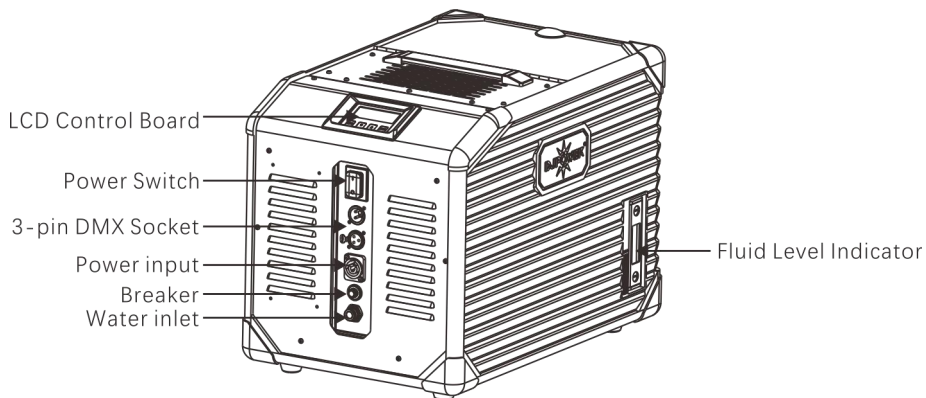
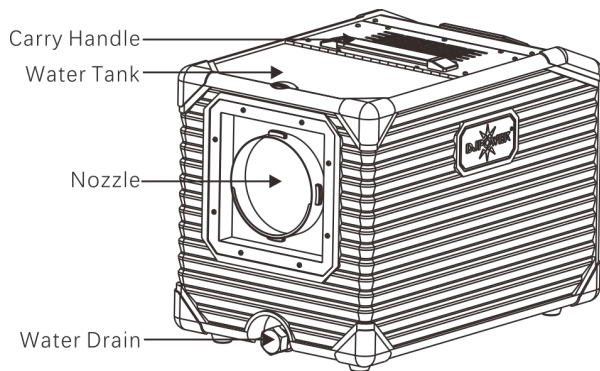
X-SW1800 mini aqua low fog machine creates a continuous spooky low-lying fog hugs the floor and dissipates without rising. By using the Ultrasonic technology, needs for dry ice is eliminated. The main body of the chassis is made of high-strength composite material at one time, with compact size, light weight, good durability and no rust. Main consumables are pure water, environment friendly, cost saving and space saving. The optimally designed air supply system makes the fog output farther. Suitable for small and medium-sized places such as bars, performances, and weddings.

2.2 Features

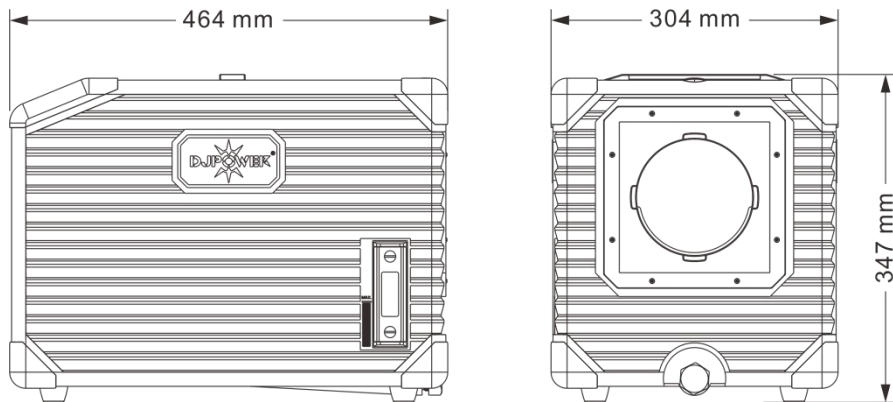
- Compact size, Integration in a stackable flight case makes the machine tough, durable;
- Output volume and time are adjustable, suit for different environment;
- Low fluid consumption, 2L fluid reservoir -1 hours on full output;
- Drain holes design for water tank, free from leakage;
- Fluid level display line, more convenient using
- Built-in LCD control, 3-pin and 5-pin DMX control;

Note: The actual effect may be affected by the using environment.

2.3 Product Overview



2.4 Product Dimensions



3 TECHNICAL SPECIFICATIONS

AC Power	Input Voltage & Rate	220-240 V, 50/60 Hz
	Current Limiter Type	Breaker
	Current Limiter Specifications	8 A, 250 V
	Total Power Consumption	1,600 W
Heating	Heat Up Time	Appr. 2 min
Capacity	Fluid Tank Capacity	2 L
	Water Chamber Capacity	7.3 L
Output	Adjustable Volume	√
	Volume Adjustment Level/Range	1-100%
	Max Output Volume	Appr. 12,000 cuft/min
	Max Coverage	Appr. 200 m ²
	Fluid Consumption @ full volume	Appr. 41 min/L
	Continuous Output	√
	Max Continuous Output Level	100%
	Fuuly-loaded Cumulative Output Duration @ full volume	Appr. 60 min
Features	Physical Thermostat	√
	Electronic Thermo-Control	√
	Adjustable Output	√
	Adjustable Fan Speed	√
Control	On-device Manual Control	LCD control board
	Wireless Control	W-4
	Wired Control	×
	Control Protocol	DMX-512
	DMX Channel Range	2
	Data Connectors	3- and 5-pin XLR
Consumable	Consumable	PRO-SW/PRO-A/PRO-D&Water
Weight & Dimensions	Net Weight	15.7kg
	Gross Weight	20 kg
	Machine Dimensions	464 × 304 × 347 mm
	Packing Dimensions	706.5 × 380 × 402 mm

4 SETUP

4.1 AC Power

The machine has a fixed voltage power supply and can work with an input voltage of AC 220 V-240 V, 50/60 Hz, depending on the specific model.

To determine the product's power requirements (circuit breaker, power outlet, and wiring), use the current value listed on the label affixed to the product's back panel, or refer to the product's specifications chart. The listed current rating indicates the product's average current draw under normal conditions.



Always connect the product to a protected circuit (circuit breaker or fuse). Make sure the product has an appropriate electrical ground to avoid the risk of electrocution or fire.



Never connect the product to a rheostat (variable resistor) or dimmer circuit, even if the rheostat or dimmer channel serves only as a 0 to 100% switch.

4.2 AC Plug

The X-SW1800 comes with a power input cord terminated with a Lockable power connector on one end. The other end is

- CN plug (CN market, etc.)
- EU plug (EU market, etc.)
- US plug (US market, etc.)

If the power input cord that came with your product has no plug, or if you need to change the plug, use the table below to wire the new plug:

Connection	Wire (U.S.)	Wire (Europe)
AC Live	Black	Brown
AC Neutral	White	Blue
AC Ground	Green/Yellow	Green/Yellow

4.3 Resetting the Breaker

This product is equipped with a resettable breaker. If the breaker trips, all sections of this product will lose power.

- Remove the power cord from mains power.
- Allow unit to cool for 15 minutes.
- After 15 minutes, you may attempt to reset the breaker by pressing the button with your finger.
- Plug the product's power cord into the power outlet and continue using as recommended.

4.4 DMX Linking

You can link the X-SW1800 to a DMX controller using a 3- or 5-pin DMX connection. If using other DMX-compatible products with this product, you can control each individually with a single DMX

controller. Instructions for connecting and configuring this product for DMX operation are in the User Manual.

4.5 Mounting

Before mounting the product, read and follow the safety recommendations indicated in the Safety Notes.

4.5.1 Orientation

For safety reasons, we do not recommend mounting the product in any capacity. Operate the product while it is on the ground only, and make sure there is adequate room for ventilation, configuration, and maintenance.

4.5.2 Rigging

DJPOWER recommends using the following general guidelines when mounting this product.

- Before deciding on a location for the product, make sure there is easy access to the product for maintenance and programming purposes.
- Make sure that the structure or surface onto which you are mounting the product can support the product's weight (see the Technical Specifications).
- When mounting the product on the floor, make sure that the product and cables are away from people and vehicles.

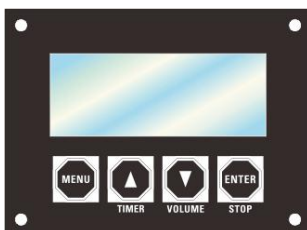
5 OPERATION

5.1 Preparing for Operation

- After checking that all the parts are intact and complete, position the machine on flat.
- Fill the water into water tank when power off. The capacity of water tank is 7.3 L.
- Always connect the product to a grounded circuit. Before power on, make sure it is connected with the rated voltage.
- Turn on the machine, it will immediately start heating up.

5.2 On-device Control Panel

To access the control panel functions, use the four buttons located underneath the LCD display.



Button	Function
<MENU>	Switch menu pages to select a function
<TIMER>/▲	Increases the numeric value of current function TIMER starts the timer-controlled operation
<VOLUME>/▼	Decreases the numeric value of current function VOLUME triggers the pump to modify the output volume
<ENTER>	Enter enables the currently displayed menu or sets the currently selected value into the selected function STOP turns the fog output off

5.3 On-device Control Mode & Operation

5.3.1 Programming

- Refer to the Menu Map to understand the menu options. The menu map shows the main level and a variable number of programming levels for each option.
- To go to the desired main level, press <MENU> repeatedly until the option shows on the display. This will take you to the first programming level for that option.
- To select an option or value within the current programming level, press <TIMER>/▲ or <VOLUME>/▼ until the option shows on the display. If there is another programming level, you will see that first option, or you will see the selected value.
- Press <MENU> repeatedly to switch menu pages.
- Press <ENTER> /<STOP> to go back to Standby Page.

5.3.2 Menu Map

	Display	Description	Parameter Range
Starting Pages	X-SW1800 AC-230V 50Hz		
Preparing Page	Heating Up >>>>>>>>	The machine is heating up.	
Standby Page	Ready To Work X-SW1800	Finished heating up, ready to work.	
Working Status Pages	Interval Set 600 S	Interval countdown of TIMER mode.	5-600S
	Duration Set 600 S	Duration countdown of TIMER mode.	5-600S

Timer Out 100%	To set the output volume.	1% ~ 100%
Fog Output 100%	Press "▲" or "▼" to set fog output of VOLUME mode.	1% ~ 100%
Fan Speed 100%	Press "▲" or "▼" to set fan speed of VOLUME mode.	1%-100%
Water Level Low ON	Water level switch. ON- Water level low, Refill Water. Press "▲" or "▼" to select ON or OFF.	ON/OFF
DMX Address 512	Press "▲" or "▼" to select DMX starting address	1-512
Wireless Set ON	Turn on/off the wireless function.	ON/OFF
Auto Run Last Settings YES	Press "▲" or "▼" to set if the machine will automatically run previous setting when power on again.	YES/NO
Automatic water refill ON	When the water level low, water pump on. Press "▲" or "▼" to select ON or OFF auto refill water.	ON/OFF
Language English	Press "▲" or "▼" to select the language and save by ENTER.	Chinese/English

5.4 DMX Mode & Operation

The Machine X-SW1800 works with a DMX controller.

- Connect the product to a suitable power outlet.
- Turn the product on.
- Connect a DMX cable from the DMX output of the DMX controller to the DMX input socket on the product.

5.4.1 Starting Address

When selecting a starting DMX address, always consider the number of DMX channels. If you choose a starting address that is too high, you could restrict the access to some of the product's channels.



DJPOWER® X-SW1800 DMX set the starting address in the 001 - 512 DMX range and uses 3 DMX channels, which defines the highest configurable address to 510 to have all channels controllable.



Connect a DMX cable from the DMX output of the DMX controller to the DMX input socket on the product, or press repeatedly "MENU" button until the LCD shows "DMX Address". Press "▲" or "▼" to set desired DMX starting address.

5.4.2 DMX Mode Menu Map

When connected with DMX controller and receive DMX signal, the display will always show current DMX starting address, that can be changed anytime by pressing "▲" or "▼".

DMX Address 512

5.4.3 DMX Channel Assignments and Values

Channel	Function	Value	Description
1	Fan Speed	000 - 010	OFF
		011 - 255	Fan volume, low to high
2	Fog Output	000 - 010	OFF
		011 - 255	Fog volume, low to high

5.5 Wireless remote control mode and operation guidance

In the haze machine, the wireless remote control function is used for remote control of the machine work, remote control of more than 50 meters in the open. When the machine is warmed up and the remote control function is on and no DMX signal is connected, the remote control function is effective.



The X-SW1800 can be controlled by w-4 wireless controller. There are two buttons ON the W-4 wireless remote control. Press "ON" button to start the machine and "OFF" button to stop the machine. A machine can receive up to five different coded wireless transmitters. The idea is that machines can be controlled independently from one another without being affected by other wireless transmitters.

5.5.1 Identify wireless transmitter

After the machine is heated, the wireless remote control function is turned on and the LCD controller will display. This state indicates that the wireless transmitter can be recognized. When the button on the wireless transmitter is pressed (it needs to stay for at least 1 second), if the LCD controller backlight flashes twice, then a wireless transmitter has been recognized. A machine can only recognize five wireless transmitters at most. If five wireless transmitters have been identified, the sixth one will clear the original one.

Wireless Set ON

Five wireless transmitters have been identified since the last power call. If at least one radio transmitter is re-identified by this power, the previously identified radio transmitter will be cleared.

For example:

① One machine can identify three wireless transmitters. It is displayed on the LCD screen. Within 15 seconds, press the "ON" button ON each of the three wireless transmitters. When the LCD backlight flickers twice, it indicates that a wireless transmitter is recognized. If the backlight does not flicker, it needs to be recognized again.

Wireless Set ON

②A wireless transmitter controls two or more machines. Power on both machines at the same time, when the LCD displays on both machines , Press the "ON" button of the wireless transmitter and release the "ON" button after the LCD backlight of both machines flashes twice.

Wireless Set ON

5.5.2 Machine operation under wireless control

In the wireless control state, the smoke volume is output according to the "output smoke volume" value controlled by the liquid crystal, and the air volume is output according to the "output air volume" value controlled by the liquid crystal. For example, if the value of "output smoke volume" is set to 1% on the LCD controller, the smoke volume is the minimum smoke volume under wireless control, and if the value is set to 100%, the maximum smoke volume will work.



Attention:

- ①. When identifying the wireless transmitter, you must wait for the LCD backlight to flicker twice before releasing the "ON" button, because only in this state can you identify the wireless transmitter.
- ②. If the wireless control function is set to off (i.e., "wireless remote control off" is displayed on the LCD), the "wireless remote control" page will not be displayed when the power is on again.
- ③. If you are currently under DMX control, the wireless control function is invalid.

5.1 Auto Run Last Settings

If the machine is shut off while it is operating at standalone mode (On-device & Wireless control), the "Auto Run Last Setting" will allow the machine to recover its previous same operating status when the unit is powered on again without pressing any button.



- **Shut off:** Get disconnected from power source, or turn off the power switch
- **Power on:** Get connected with power source, or turn on the power switch

5.2 Auto refill water function

When the water in the tank is low, the water pump starts to auto refill water. The LCD will flicker and show the warning message as below:

Auto refill water ON



X-SW1800 can be supplied with external water tank, the water tank water level must lower than the high of machine.

6 TECHNICAL INFORMATION

6.1 Maintenance

To avoid the X-SW1800 clogging, after every 40 hours of continuous operation, use a detergent composed of 35% vinegar and 65% distilled water through the system and fog 10-15 times after finish heating-up to prevent the accumulation of particulate matter in the heating element.

The recommended cleaning procedure is as follows.

- 1) Unplug the product from power.
- 2) Empty all fluid from the machine.
- 3) Add cleaning solution to the tank.
- 4) Connect the product to power and allow it to heat up.
- 5) Run the product in a well-ventilated area until the tank is empty. Do not allow the pump to run dry.
- 6) Refill with fog fluid to continue using the X-SW1800. Run the machine briefly to clear any cleaning solution from the pump and heater.
- 7) Excessive dust, fluid residue and dirt will degrade performance and cause overheating. Remove dust from air vents with air compressor, vacuum or soft brush. The casing could be cleaned by the damp cloth.



Test-run your DJPOWER® X-SW1800 on a monthly basis to achieve the best performance.

6.2 Storage

6.2.1 Machine Storage

Before storing the machine, clean it as described in the cleaning procedure above; however, only follow steps 1 through 5. Do not refill the tank with fog fluid if storing the machine. Cleaning the system prior to storage will help prevent any particles from condensing inside the pump or heater while not in use.

6.3 Trouble Shooting

Errors	Symptom	Potential Cause	Remedies
No fluid	Refer to "MENU MAP" chapter to for more information	No fluid	Refill fluid
		Fluid pump error	Contact Service
Low water	Refer to "MENU MAP" chapter to for more information	Low water	Refill water
		Water pump error	Contact Service
Heat failure	Refer to "MENU MAP" chapter to for more information	Heater broken	Contact Service

